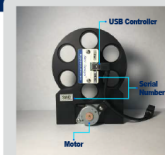


USB Filter Wheel



USB Filter wheel Features

- **USB powered and controlled filter wheel system that is simple and easy to use**
- **Holds six standard 1.0" (25mm) optics with 1.0" mounting/retaining rings**
- **All filter positions have clear apertures (no filter positions are obstructed)**
- **Mounts on standard optical tables with 14 - 20 screws on 1.0" centers**
- **Motorized or manual override control of the filter wheel's position**
- **Absolute positional sensing is used to insure proper wheel positioning**
- **Low power, motor is energized only when the filter wheel moves (changing positions)**
- **Quiet long life stepper motor operation for repeatable filter wheel positioning**
- **USB Hot pluggable with Auto-detection**
- **Easy to use Windows (XP and higher) based User Interface software, LabView example and DLL file included**
- **Includes 1 meter USB cable**

(\$875 single piece price)

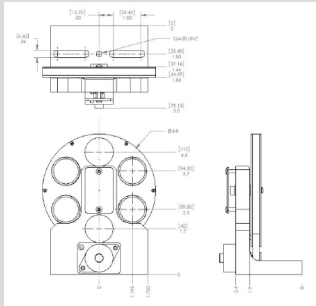
Picard Industries

4960 Quaker Hill Road, Albion, NY 14411

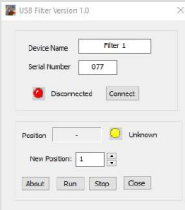
(585) 589-0358

www.Picard-Industries.com

Mechanical Layout



Software Interface



Description

The provided Windows based user interface can individually control the **USB-FilterWheel**. The status (red/green) indicator on the panel will provide an indication of whether the filter wheel is properly connected to the USB port and its positional location. The **Run**, **Stop** and **arrow** buttons are clicked with the mouse to move the filter wheel to new positions. Each filter wheel is identified by its serial number located on its base. Descriptive labels can also be assigned to each unit. To the left is a sample of what the user interface panel looks like.