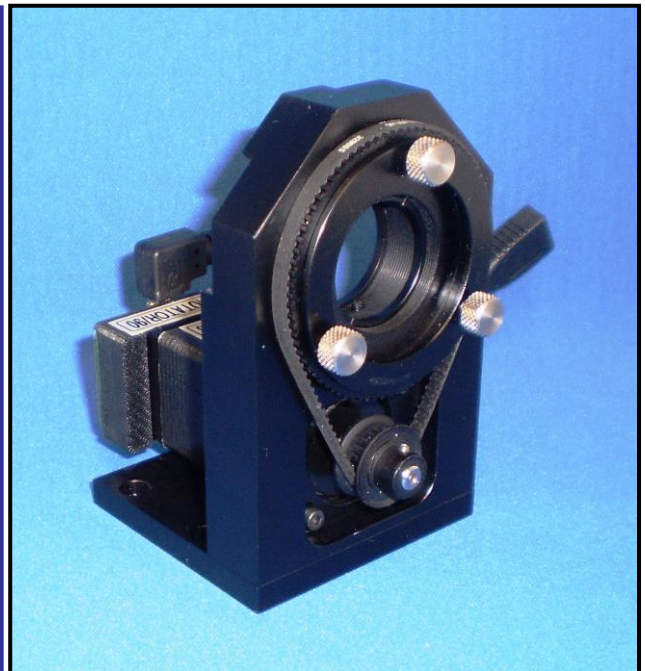


## USB-Rotator System

### System Features

- USB powered and controlled optical rotator
- Holds standard 1.0" (25mm) optics with 1.0" mounting/retaining rings
- Ring clamp with thumb screws provided for larger (35 mm) optics.
- 90 Degree rotation with 200 steps of resolution (about 0.5 deg/step)
- Mounts on standard optical tables with 1/4-20 /M6 screws on 1.0"/ 25mm centers
- Motorized or manual override control of the Rotator's position
- Low power, motor is energized only when the rotator is moving
- Absolute positional sensing is used to insure proper positioning, no homing required.
- USB Hot pluggable with Auto-detection
- Easy to use Windows (XP and higher) based User Interface software, DLL file included
- Multiple Rotators can be operated with an externally powered USB Hub and cables

**Single unit for only \$ 885**

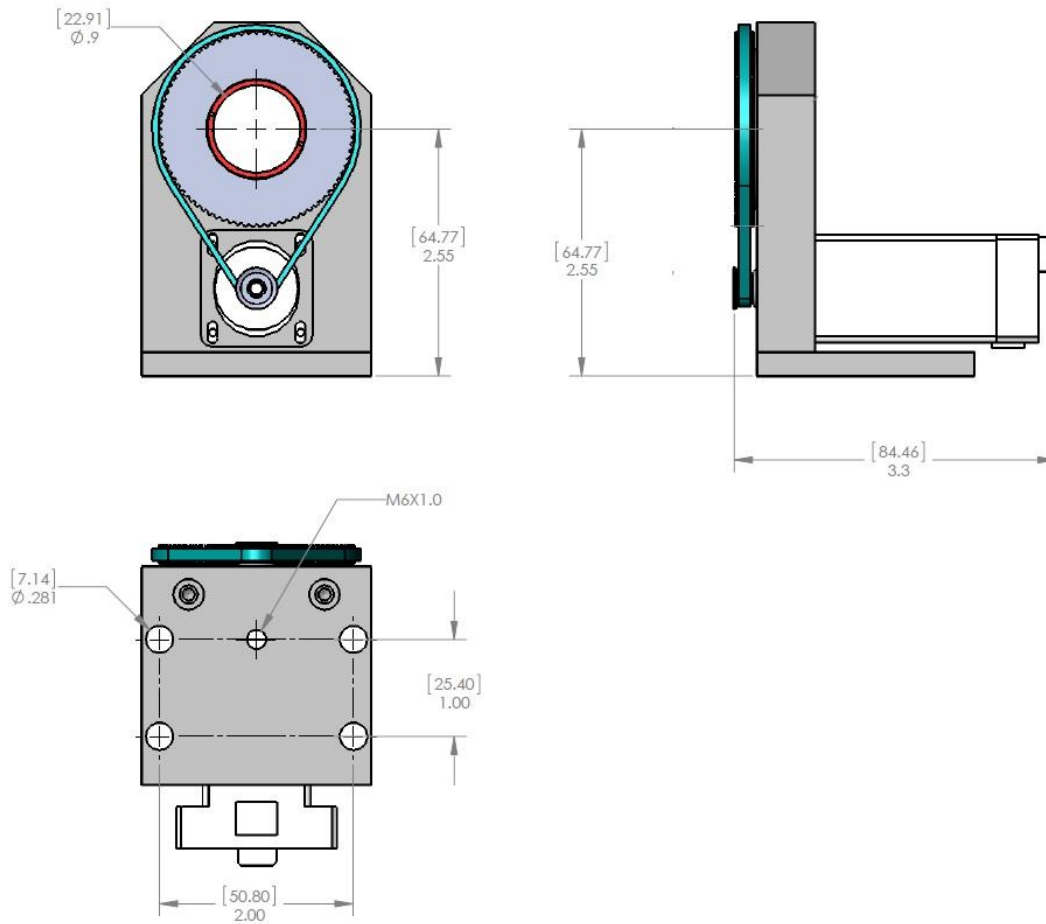


**Picard Industries**

4960 Quaker Hill Road, Albion, New York 14411  
(585) 589-0358

[info@Picard-Industries.com](mailto:info@Picard-Industries.com)  
[www.Picard-Industries.com](http://www.Picard-Industries.com)

## USB-Rotator Mechanical Layout



## USB-Rotator Software / User Interface

The provided Windows based user interface can control a single USB-Rotator. Status (red/green) indicators on the panel will provide indication of whether the Rotator is properly connected to the USB hub/port and its positional location. The Run, Stop and arrow buttons are clicked with the mouse to move the Rotator to a new position. Each is identified by its serial number located on its base. A descriptive label can also be assigned to each unit. The assignment is stored with the serial number. Below is a sample of what the user interface panel looks like.

